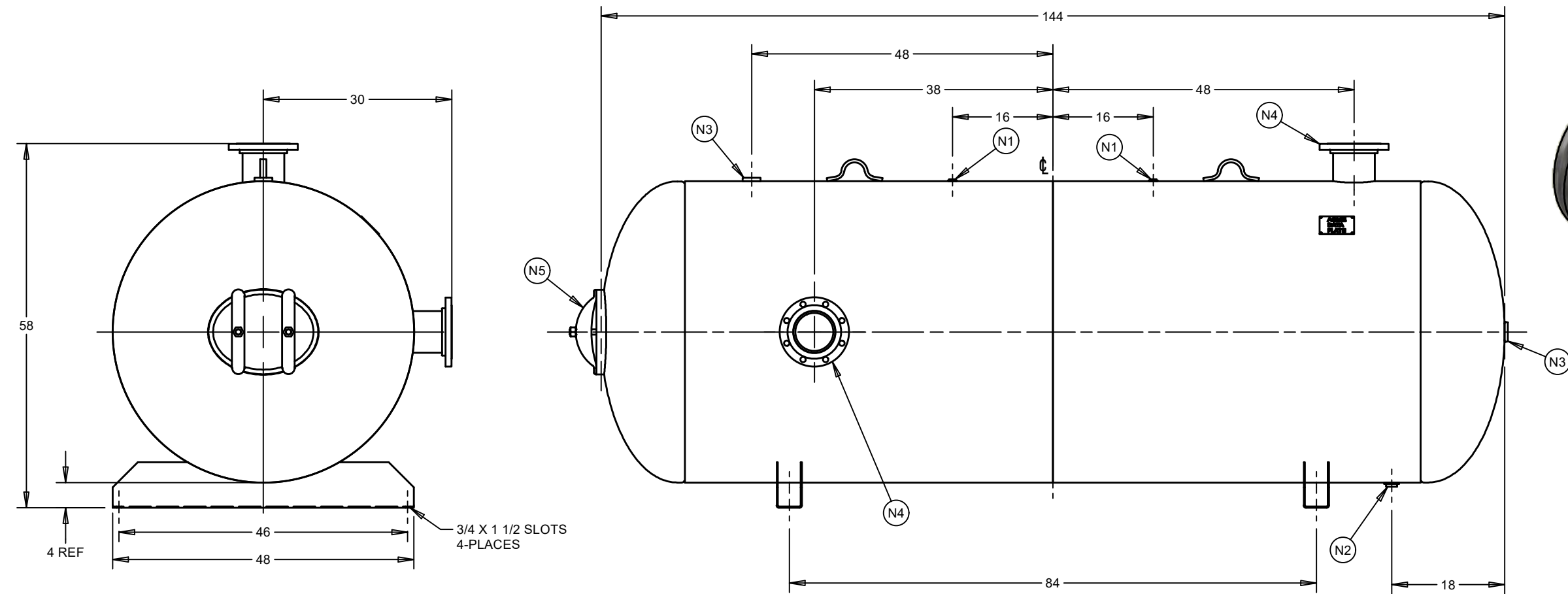


| NOZZLE CHART | | |
|--------------|----------|----------|
| NOZZLE ID | NPS SIZE | TYPE |
| N1 | 1/2 | NPT |
| N2 | 1 | NPT |
| N3 | 2 | NPT |
| N4 | 6 | 150# FLG |
| N5 | MANWAY | |



| DESIGN INFORMATION | |
|--------------------|---------------------|
| SPECIFICATION | VALUE |
| DIAMETER O.D./I.D. | 48 O.D. |
| MAWP | 200 PSI AT 400°F |
| MDMT | -20°F AT 200 PSI |
| CAPACITY | APPROX 1060 GALLONS |
| SHIPPING WEIGHT | 2710 LBS |
| CRN | R2127.5C |

| | | | | |
|---|---------------------|-----------------------|---------------------------------|------------------|
| TITLE HORIZONTAL AIR RECEIVER | | | | |
| CUSTOMER STOCK | | | | |
| TYPE ASME | DRAWN KAT | CHECKED DMM | DRAWING NO A10368-200 | REV F7 |
| | 9/30/2016 | 10/14/2016 | | |
| | SIZE: B | SHEET 1 OF 1 | | |

(BUILT IN ACCORDANCE WITH LATEST EDITION OF SECTION VIII DIV 1 ASME CODE)

THIS DRAWING & SPECIFICATIONS ARE PROPERTY OF SPVG AND MAY NOT BE COPIED, REPRODUCED, OR USED IN WHOLE OR PART, AS A BASIS FOR DESIGN MANUFACTURE OR SALE WITHOUT PRIOR PERMISSION FROM SPVG.

| REV | DESCRIPTION | BY | DATE |
|-----|-------------|----|------|
| F7 | ISSUED | | |