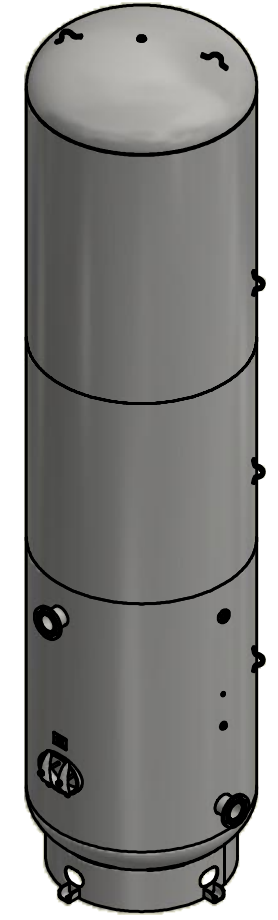
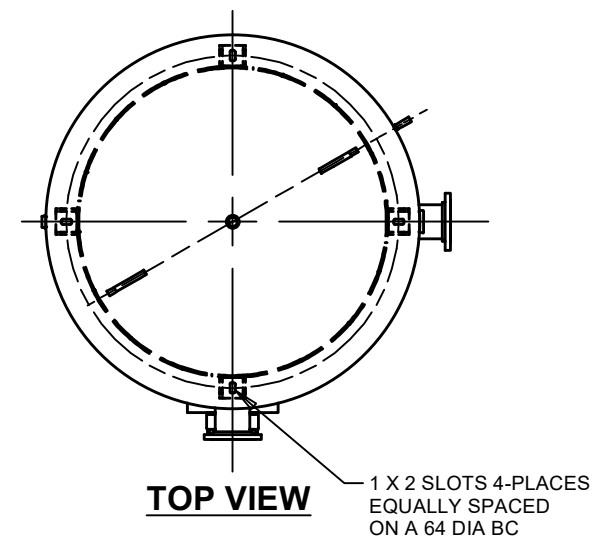
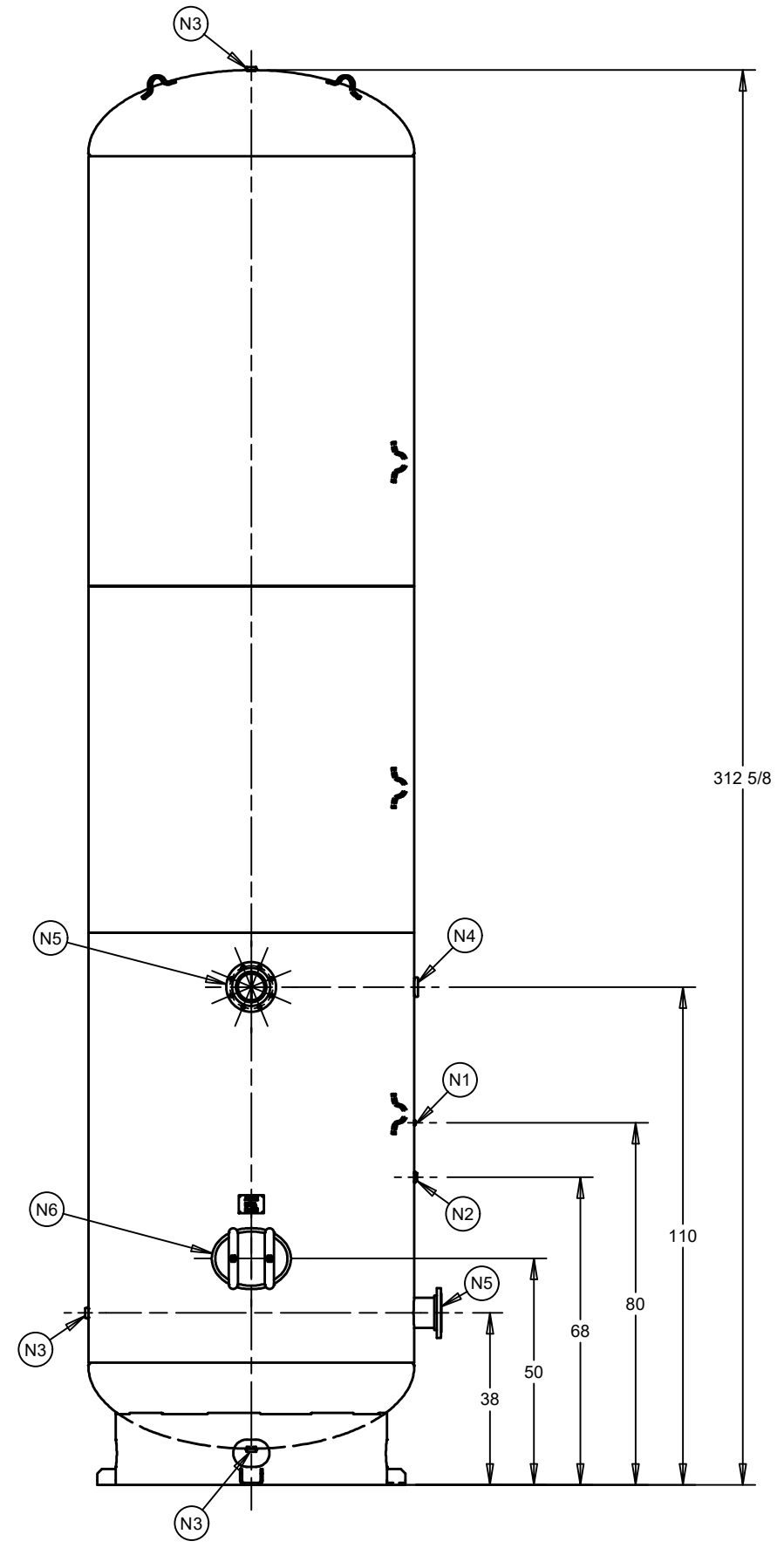


| NOZZLE CHART |          |          |
|--------------|----------|----------|
| NOZZLE ID    | NPS SIZE | TYPE     |
| N1           | 1/4      | NPT      |
| N2           | 1        | NPT      |
| N3           | 1 1/4    | NPT      |
| N4           | 3        | NPT      |
| N5           | 6        | 150# FLG |
| N6           | MANWAY   |          |



| DESIGN INFORMATION |                     |
|--------------------|---------------------|
| SPECIFICATION      | VALUE               |
| DIAMETER O.D./I.D. | 72 O.D.             |
| MAWP               | 150 PSI AT 450°F    |
| MDMT               | -20°F AT 150 PSI    |
| CAPACITY           | APPROX 5000 GALLONS |
| SHIPPING WEIGHT    | 8576 LBS            |
| CRN                | L8003.567901234T8   |

|                                       |  |                   |                    |                      |  |
|---------------------------------------|--|-------------------|--------------------|----------------------|--|
| TITLE<br><b>VERTICAL AIR RECEIVER</b> |  |                   |                    |                      |  |
| CUSTOMER<br><b>STOCK</b>              |  |                   |                    |                      |  |
| TYPE<br><b>ASME</b>                   |  | DATE<br>10/5/2016 | DATE<br>10/18/2016 | SIZE: B SHEET 1 OF 1 |  |

| REV | DESCRIPTION | BY | DATE |
|-----|-------------|----|------|
| J11 | ISSUED      |    |      |

(BUILT IN ACCORDANCE WITH LATEST EDITION OF SECTION VIII DIV 1 ASME CODE)

THIS DRAWING & SPECIFICATIONS ARE PROPERTY OF SPVG AND MAY NOT BE COPIED, REPRODUCED, OR USED IN WHOLE OR PART, AS A BASIS FOR DESIGN MANUFACTURE OR SALE WITHOUT PRIOR PERMISSION FROM SPVG.