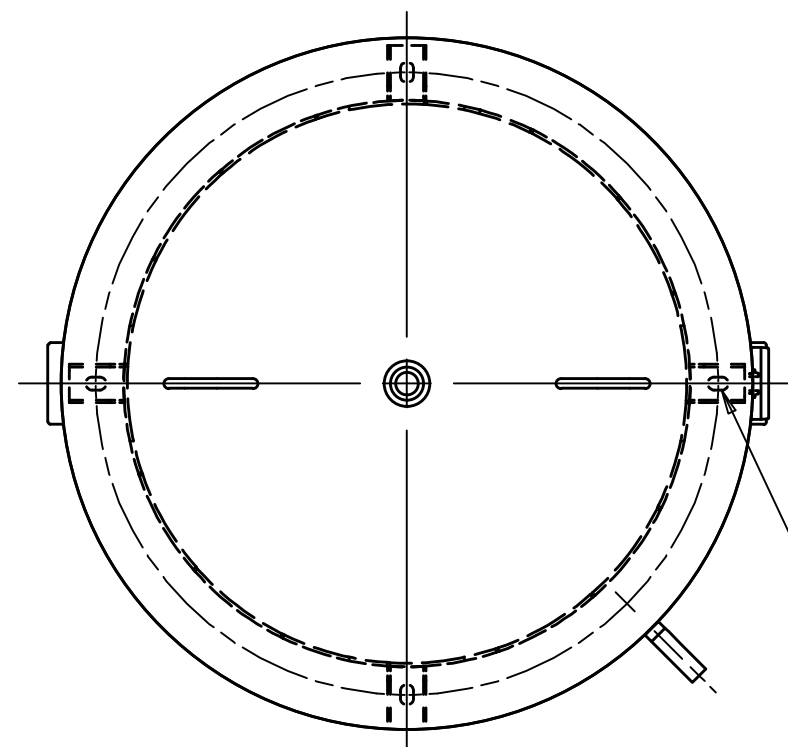
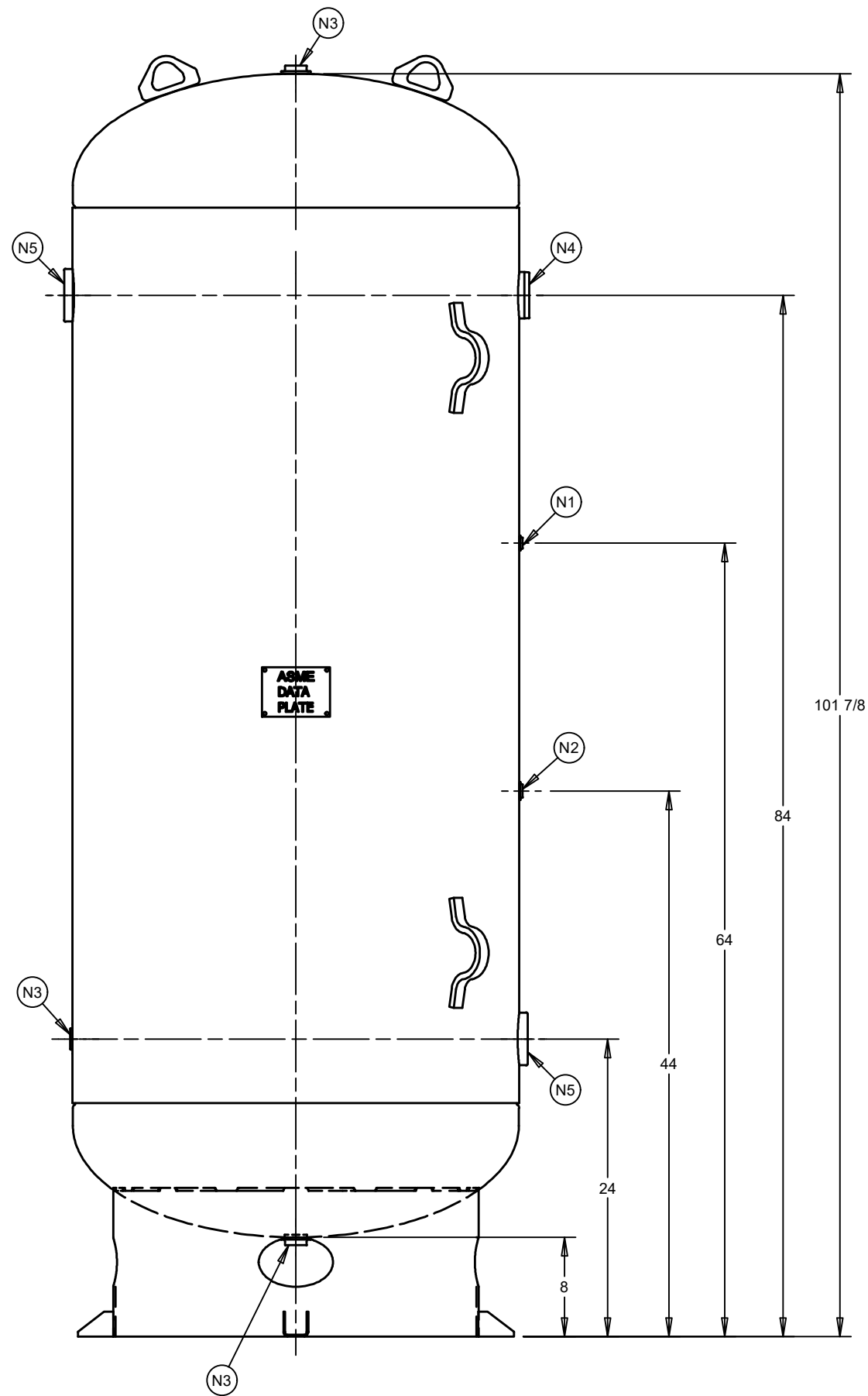


NOZZLE CHART	
NOZZLE ID	NPT SIZE
N1	1/4
N2	1/2
N3	1
N4	2 1/2
N5	3



11/16 X 1 1/16 SLOT 4-PLACES  
EQUALLY SPACED  
ON A 32 7/16 DIA B.C.

**TOP VIEW**



DESIGN INFORMATION	
SPECIFICATION	VALUE
DIAMETER O.D./I.D.	36 O.D.
MAWP	165 PSI AT 400°F
MDMT	-20°F AT 165 PSI
CAPACITY	APPROX 400 GALLONS
SHIPPING WEIGHT	717 LBS
CRN	L4039.5C

TITLE <b>VERTICAL AIR RECEIVER</b>					
CUSTOMER <b>STOCK</b>					
TYPE <b>ASME</b>		SIZE: B SHEET 1 OF 1			

REV	DESCRIPTION	BY	DATE
F32	ISSUED		

(BUILT IN ACCORDANCE WITH LATEST EDITION OF SECTION VIII DIV 1 ASME CODE)  
THIS DRAWING & SPECIFICATIONS ARE PROPERTY OF SPVG AND MAY NOT BE COPIED, REPRODUCED, OR USED IN WHOLE OR PART, AS A BASIS FOR DESIGN MANUFACTURE OR SALE WITHOUT PRIOR PERMISSION FROM SPVG.