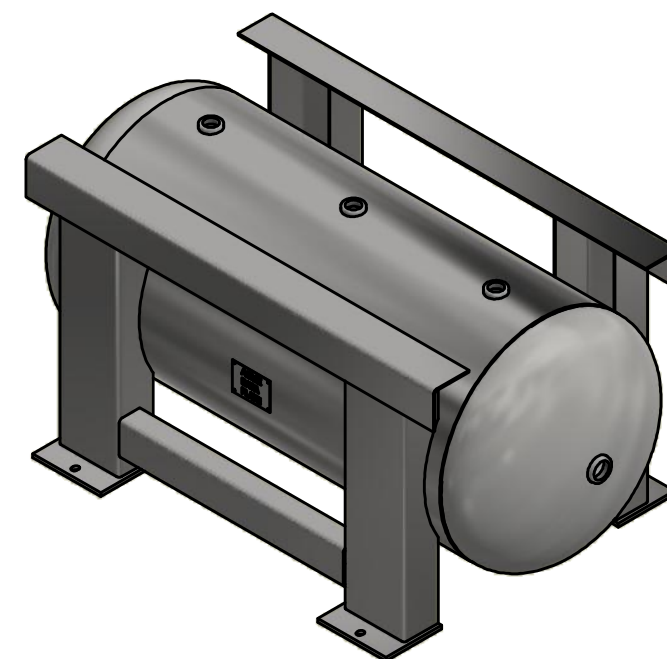
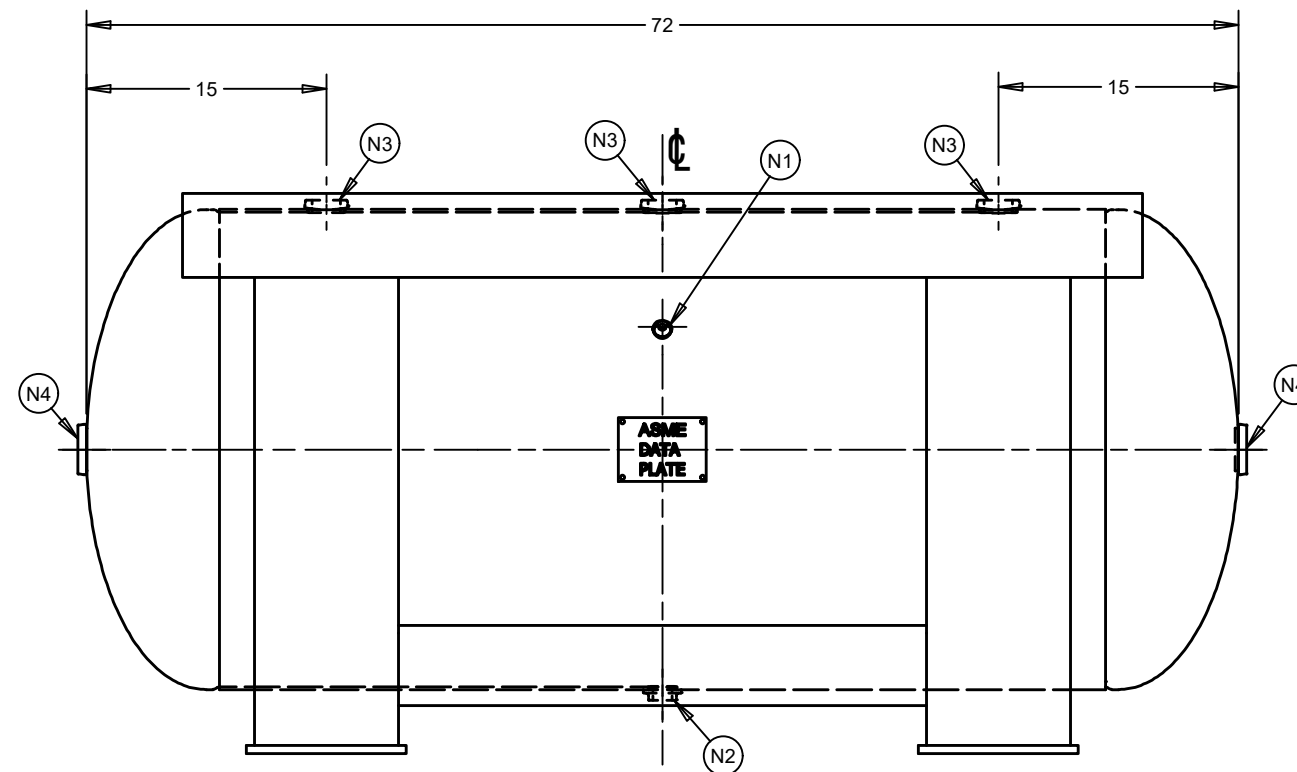
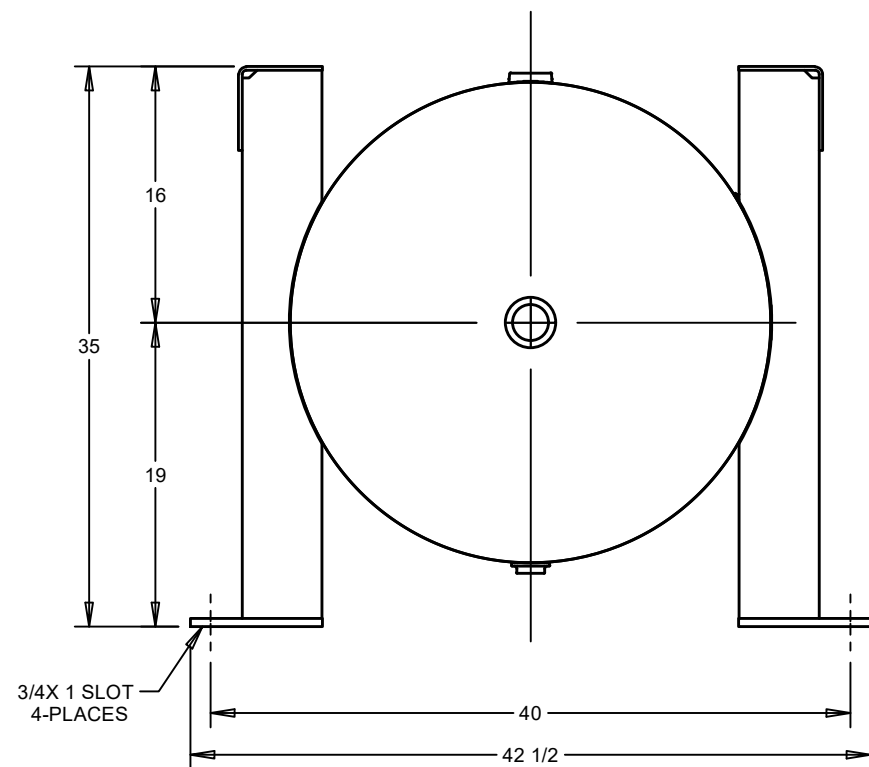


NOZZLE CHART	
NOZZLE ID	NPT SIZE
N1	1/4
N2	1
N3	1 1/2
N4	2



DESIGN INFORMATION	
SPECIFICATION	VALUE
DIAMETER O.D./I.D.	30 O.D.
MAWP	200 PSI AT 400°F
MDMT	-20°F AT 200 PSI
CAPACITY	APPROX 200 GALLONS
SHIPPING WEIGHT	734 LBS
CRN	L4036.5C

(BUILT IN ACCORDANCE WITH LATEST EDITION OF SECTION VIII DIV 1 ASME CODE)
 THIS DRAWING & SPECIFICATIONS ARE PROPERTY OF SPVG AND MAY NOT BE COPIED, REPRODUCED, OR USED IN WHOLE OR PART, AS A BASIS FOR DESIGN MANUFACTURE OR SALE WITHOUT PRIOR PERMISSION FROM SPVG.

REV	DESCRIPTION	BY	DATE
C15	ISSUED		

TITLE HORIZONTAL AIR RECEIVER					
CUSTOMER STOCK		DRAWN KAT	CHECKED DMM	DRAWING NO A10127	REV C15
	TYPE ASME	9/22/2016	10/14/2016	SIZE: B SHEET 1 OF 1	