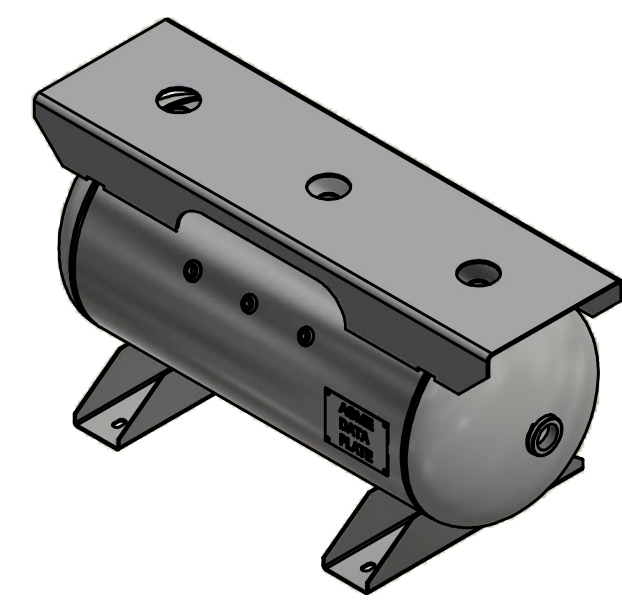
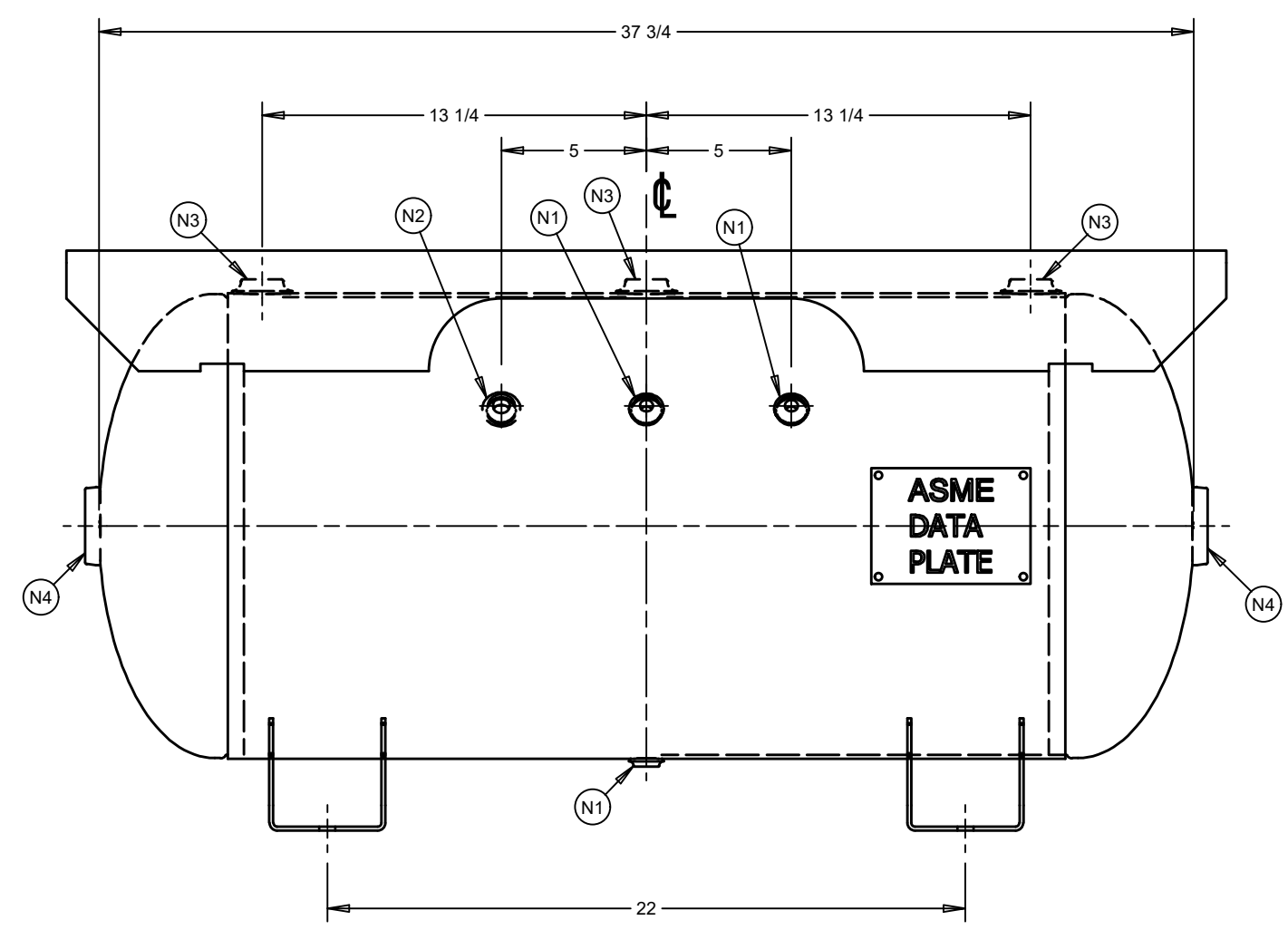
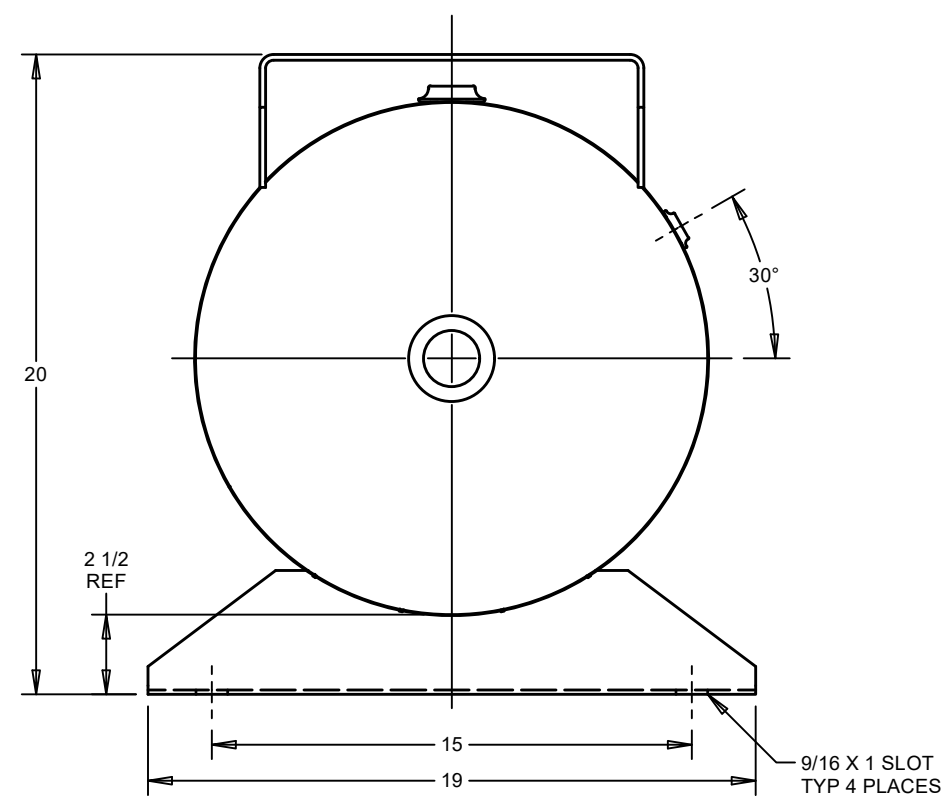


NOZZLE CHART	
NOZZLE ID	NPT SIZE
N1	1/4
N2	3/8
N3	3/4
N4	1 1/2



DESIGN INFORMATION	
SPECIFICATION	VALUE
DIAMETER O.D./I.D.	16 O.D.
MAWP	200 PSI AT 450°F
MDMT	-20°F AT 200 PSI
CAPACITY	APPROX 30 GALLONS
SHIPPING WEIGHT	132 LBS
CRN	L4032.5C

TITLE HORIZONTAL AIR RECEIVER					
CUSTOMER STOCK					
TYPE ASME		SIZE: B	SHEET 1 OF 1		

(BUILT IN ACCORDANCE WITH LATEST EDITION OF SECTION VIII DIV 1 ASME CODE)

THIS DRAWING & SPECIFICATIONS ARE PROPERTY OF SPVG AND MAY NOT BE COPIED, REPRODUCED, OR USED IN WHOLE OR PART, AS A BASIS FOR DESIGN MANUFACTURE OR SALE WITHOUT PRIOR PERMISSION FROM SPVG.

B11	ISSUED		
REV	DESCRIPTION	BY	DATE