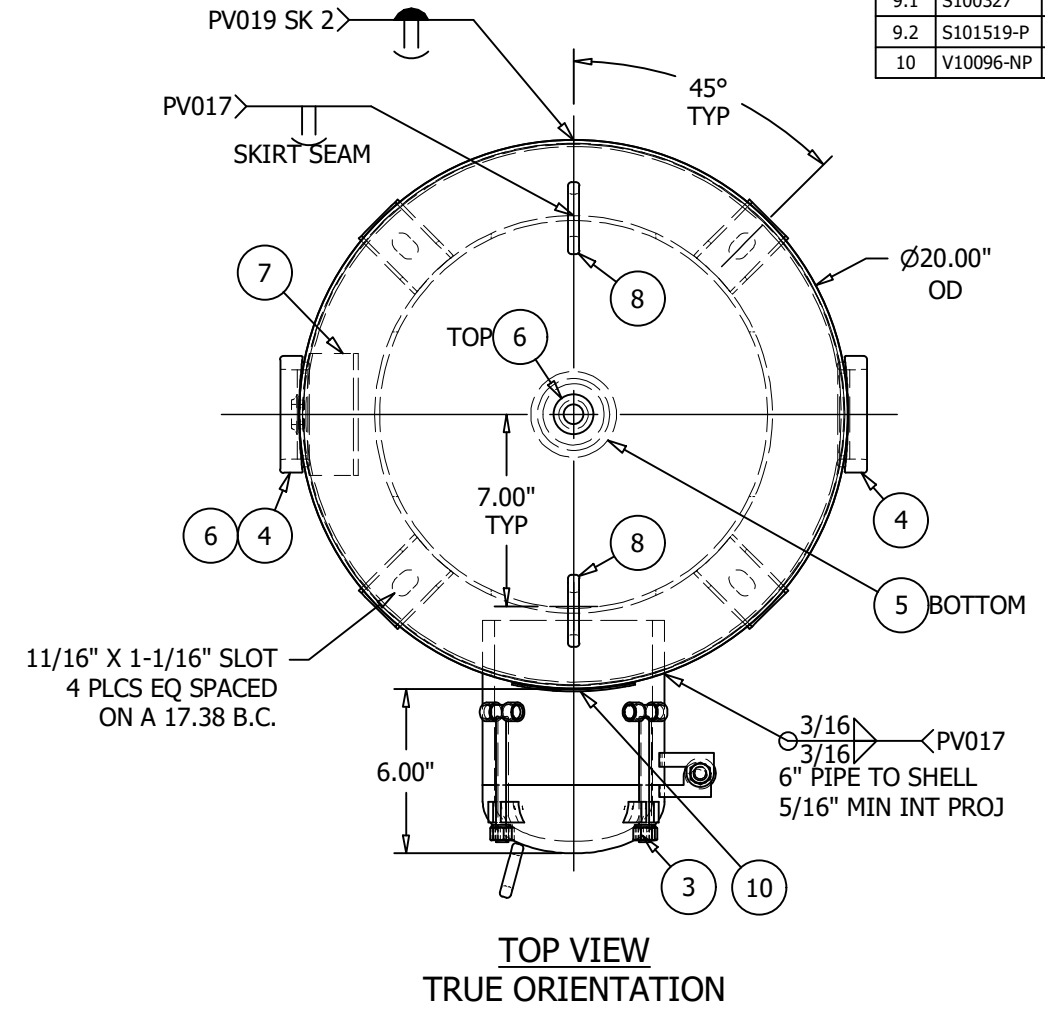
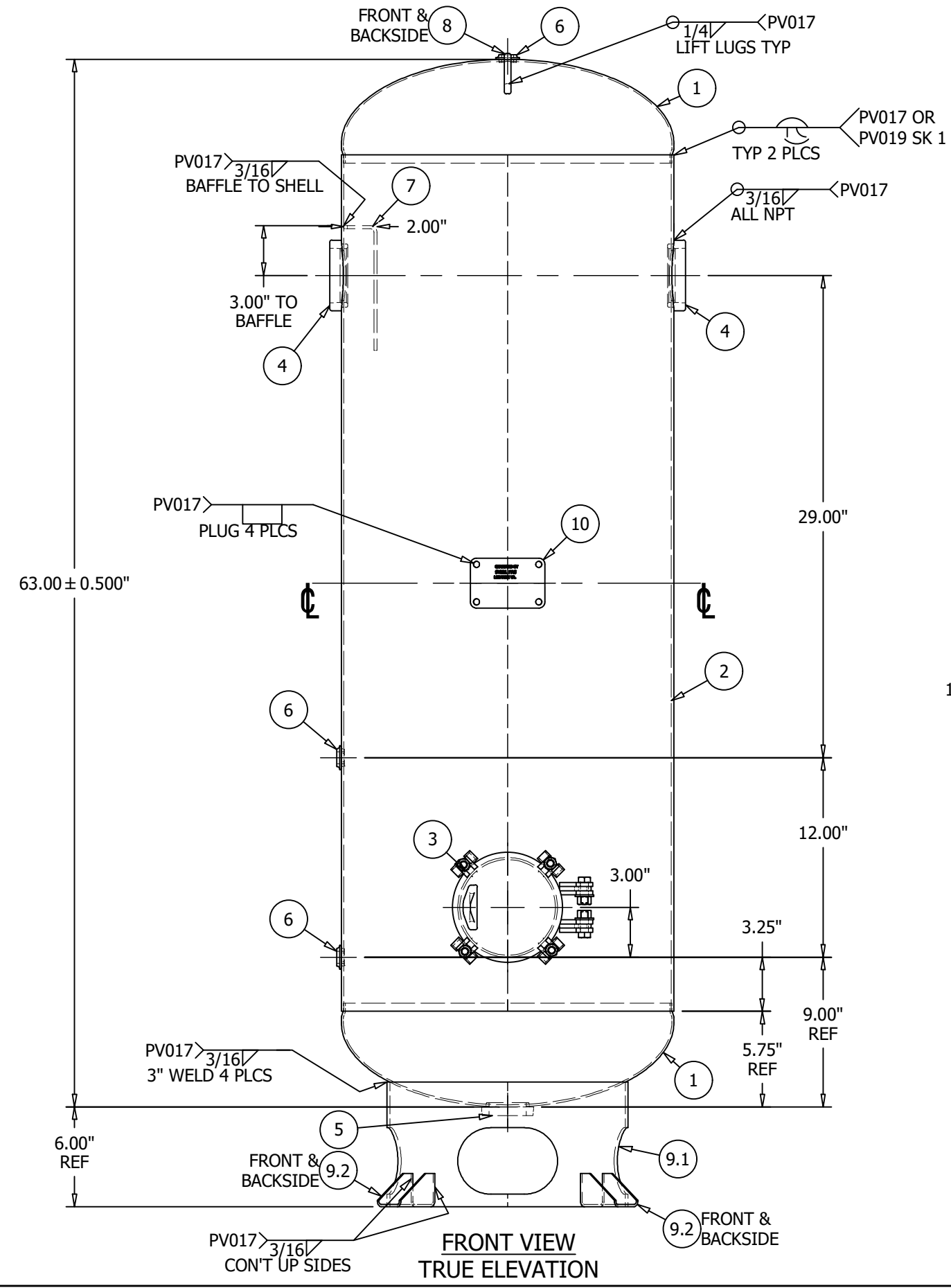


ITEM	P/N	DESCRIPTION	QTY
1	H20124J	HEAD 20.00 OD 0.124M CS SA414G SE 2:1 JOG	2
2	V10096-SL	SHELL BURNT 0.154 CS SA414-G 51.50 X 20.00 OD	1
3	S112801	HINGED CLOSURE 6.625 OD 300# 0.438 THICK SA516-70 W/ VITON O-RING W/ MTR, U2 @ 400F (FULL VAC)	1
4	F103001	WELD FLG 3.000 NPT CS SA181-70 RAD 710-R	2
5	F102000	WELD FLG 2.000 NPT CS SA181-70 FLAT 398 O/R	1
6	F100500	WELD FLG 0.500 NPT CS SA181-70 FLAT 253	3
7	S101652	BAFFLE 7GA A1011CS-B x 2.000 x 4.438 x 7.500	1
8	LL2898	LUG 0.406 X 2.687 X 2.000 A105 LIFT (4850# MAX) (4:1)	2
9	S102217	SKIRT ASY. 14.50" O.D. A1011CS-B W/6" CLR 17.375" B.C. FOR 20" TANK	1
9.1	S100327	SKIRT, 7GA X 7.50" X 45" A1011CS-B 14.50" O.D. FOR 20" TANK	1
9.2	S101519-P	CLIP, 10GA A1011CS-B 2.000 x 2.000 x 2.875 PURCHASED	4
10	V10096-NP	NAME PLATE FOR V10096 A1011CS-B	1



**SHELL CUT SIZE IS REFERENCE ONLY
 **CPLG & FITTING 0.50 EXT PROJ TYP
 **HEAD THICKNESS SHOWN IS SPECIFIED MINIMUM
 **RADIUS INSIDE PROJECTED EDGES OF NOZZLES 1/8" MIN
 **SEE PAGE 2 FOR FINISH
 **ALL DIMS IN INCHES UNLESS NOTED OTHERWISE
 **IMPACT TEST EXEMPT PER UG 20(f)
 20" X 63" 150/FV# VERTICAL-VACUUM TANK
 NOTES

TRAVELER REQUIRED <input type="checkbox"/> No		FIXTURE REQUIRED <input checked="" type="checkbox"/> Yes IF YES THEN FIXTURE # A10325	
RELEASED TO PRODUCTION		TOLERANCES ARE PER EN1370 STEEL FAB STANDARD TOLERANCES UNLESS OTHERWISE SPECIFIED	
SALES ORDER#		DESIGN & CALCULATIONS COMPLY WITH ASME CODE SECTION VIII, DIV1. LATEST EDITION	
RELEASE DATE:		QTY:	
NB/SERIAL#		SFI CATALOG	
HEAD THK: .124" MIN C.A.: --- MAT'L SA414-G EFF 85 %		ENG. APPL / DATE BW - 1/3/2020	
SHELL THK: .154" NOM C.A.: --- MAT'L SA414-G EFF 70 %		QCM. APPL / DATE PE-1/8/2020	
NAT'L BD: YES STAMP " U "		A.I. VERIFICATION / DATE BQ-1/8/2020	
VOLUME: 80 APPROX GAL		SAMUEL PRESSURE VESSEL GROUP	
SHIPPING WEIGHT: 224 LBS		OAKVILLE, ONT LEBANON, VA	
CRN: NONE		DRAWN BY: IDV/SA P/N V10096	
MAWP 150/FV PSI AT 400 °F		DATE: 12/9/2019	
MDMT -20 °F AT 150/FV PSI		PAGE 1 OF 2	
TEST: HYDRO AT 195 PSI		REV 0	
TEST: PNEU AT 195 PSI		PAGE 1 OF 2	